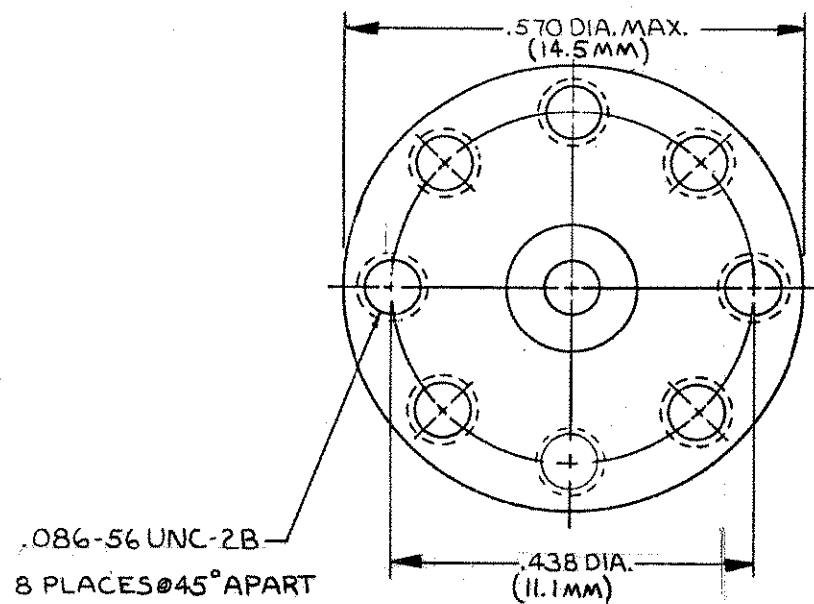
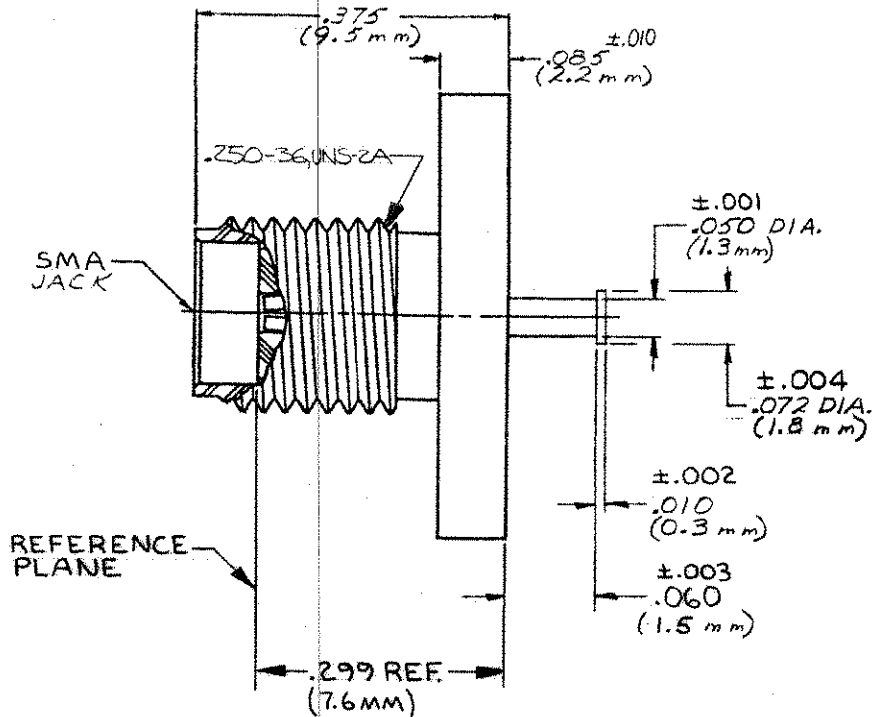


REVISIONS			DATE	APP.
REV.	DESCRIPTIONS			
010	RELEASED		3/15/84	R.Gurus



COMPONENT	MATERIAL	FINISH
HOUSING	STAINLESS STEEL PER ASTM-A484 AND ASTM-A582, TYPE 303	PASSIVATE PER QQ-P-35
DIELECTRIC	TFE FLUOROCARBON PER MIL-P-19468 AND FED SPEC L-P-403	N/A
CENTER CONTACT	BERYLLIUM COPPER PER QQ-C-530, ALLOY 173	GOLD PLATE PER MIL-G-45204 OVER COPPER PLATE PER MIL-C-14550

UNLESS OTHERWISE SPECIFIED DIMENSIONS ARE IN INCHES TOLERANCE ON

FRAC.	DEC.	ANGLES
± 1/64	± .006	± 1°

THESE DRAWINGS AND SPECIFICATIONS ARE THE PROPERTY OF OMNI SPECTRA INCORPORATED AND SHALL NOT BE REPRODUCED OR COPIED OR USED IN WHOLE OR IN PART AS THE BASIS FOR THE MANUFACTURE OR SALE OF ITEMS WITHOUT WRITTEN PERMISSION

DRAWN *D. Bando* DATE 3-15-84
 CHECKED *R. Gurus* 3/15/84
 APP'D. *R. Gurus* 3/15/84

USE ASS'Y PROCEDURE

NO A.P. *N/A*

Omni Spectra MICROWAVE CONNECTOR DIVISION

TITLE SMA STRIP TRANSMISSION LINE SURFACE LAUNCH JACK STRIPLINE TURRET TERMINAL (MB3517/6-3100)

SIZE	CODE IDENT NO.	REV
B	26805	2066-8001-92 010

SCALE *H* SHEET 1 OF 1

CUSTOMER

1053423
 SHEET 1 OF 1
 REV 0